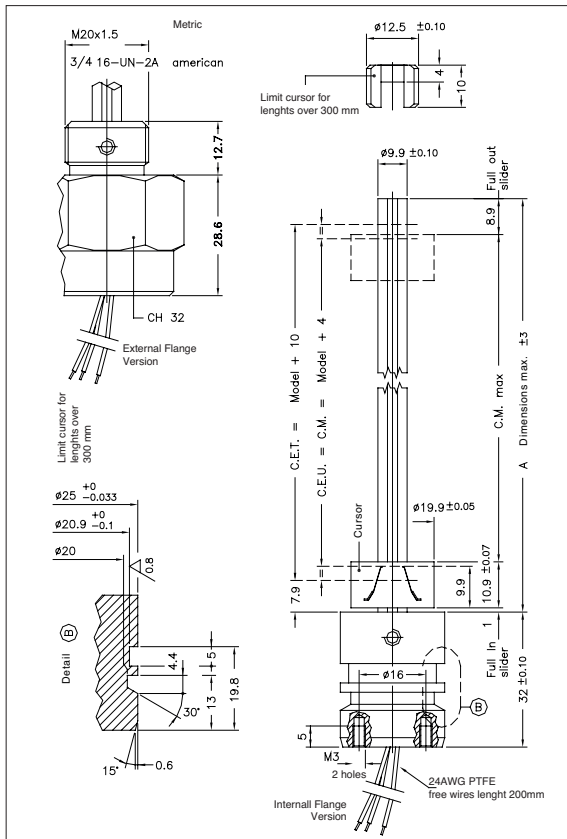




Principal characteristics

- Transducer with exposed tracks, allowing rod diameter is reduced to be reduced to a minimum to permit installation in small cylinders.
- Thanks to a special constructive technique, the IC transducer provides high resistance to the working pressures of oil-pressure cylinders (max 340 bar)
- Available with internal flanges or external threads to guarantee mechanical compatibility with all principal cylinder types.

MECHANICAL DIMENSIONS



Important: all the data reported in the catalogue linearity, lifetime, temperature coefficient are valid for a sensor utilization as a ratio-metric device with a max current across the cursor $I_c \leq 0.1 \mu A$.

TECHNICAL DATA

Model

100/150/200/300/350/500/550

Resolution

infinite

Repeatability

0,01mm

Independent linearity (within C.E.U.)

$\pm 0,1\%$

Life

> 25x10⁶ m strokes, or 100x10⁶ maneuvers, whichever is less (within C.E.U.)

Displacement speed

standard $\leq 1,5$ m/s

Vibrations

5...2000Hz, Amax = 0,75 mm a max. = 20 g

Shock

50 g, 11ms.

Tolerance on resistance

$\pm 20\%$

Recommended cursor current

< 0,1 μA

Maximum cursor current

10mA

Dissipation at 40°C (0W at 120°C)

3W

Max. applicable voltage

60V

Actual Temperature coefficient of the output voltage

$\leq 1,5$ ppm/°C

Electrical isolation

> 100M Ω a 500V=, 1bar, 2s

Dielectric strength

< 100 μA a 500V~, 50Hz, 2s, 1bar

Working temperature

-30...+100°C

Storage temperature

-50...+120°C

Displacement speed

≤ 1.5 m/s

Displacement force

≤ 1 N

Rod material

Anodised aluminium

Flange material

Stainless steel AISI 303

Fixing

Internal or external flange

